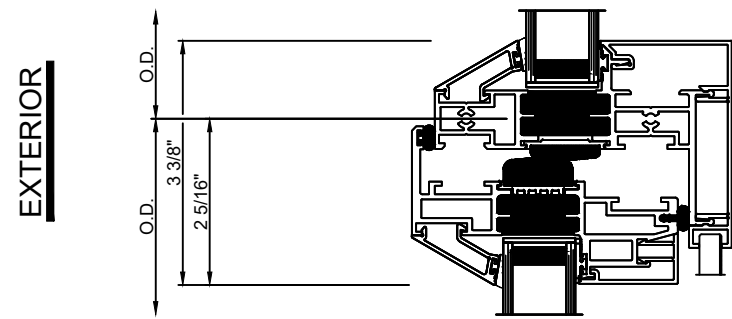
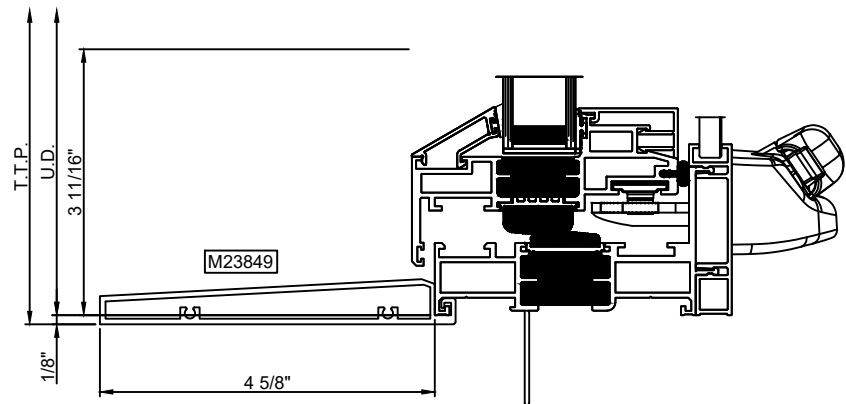


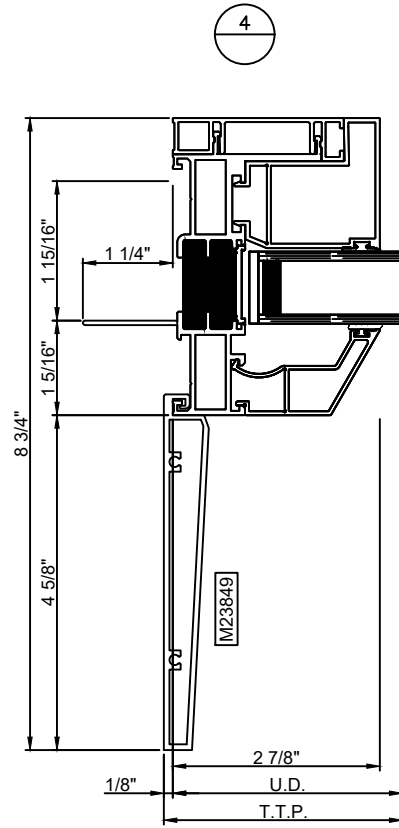
1



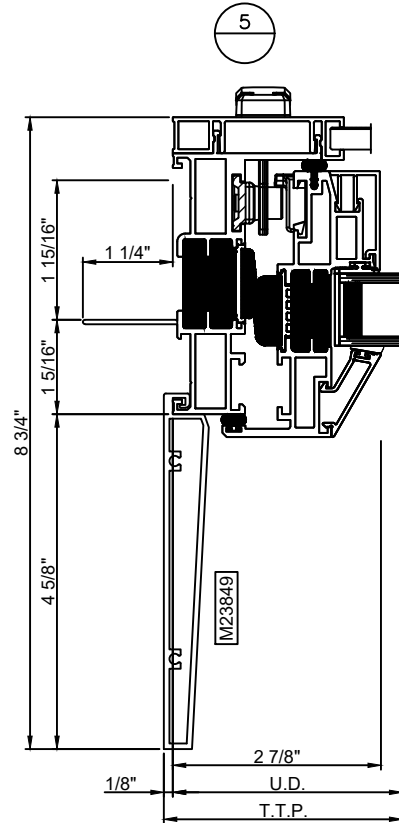
2



3



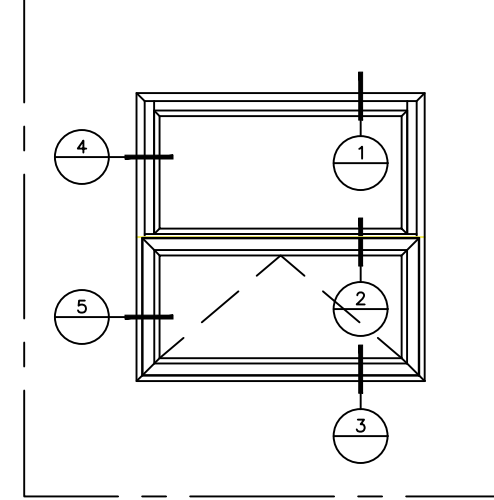
4



5

EXTERIOR

SERIES	C600
CONFIGURATION	FIXED OVER AWNING
INSTALLATION METHOD	NAIL FIN FACTORY APPLIED PANNING
<p>Quaker reserves the right to change any/all designs without notice. Due to periodic re-certification requirements, result shown may vary. Installation methods shown are generic. No sealant shown on details. Accessory part numbers are shown on the cut sections. Contact Quaker if job specific details are required. This Document contains confidential and proprietary information intended for the private use of Quaker. 2015 Quaker Window Products Co., Inc. All rights reserved.</p>	



Project Name: **QUAKER DETAILS**

Description: **CUT DETAILS**

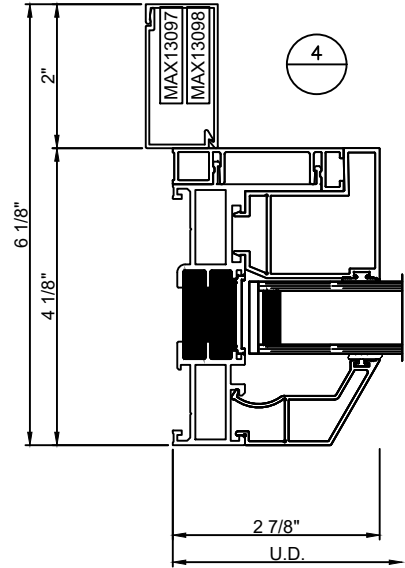
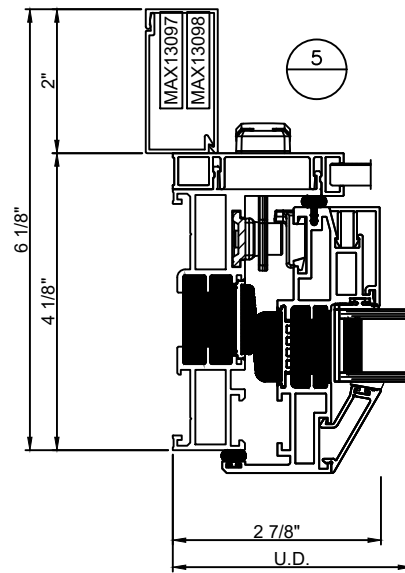
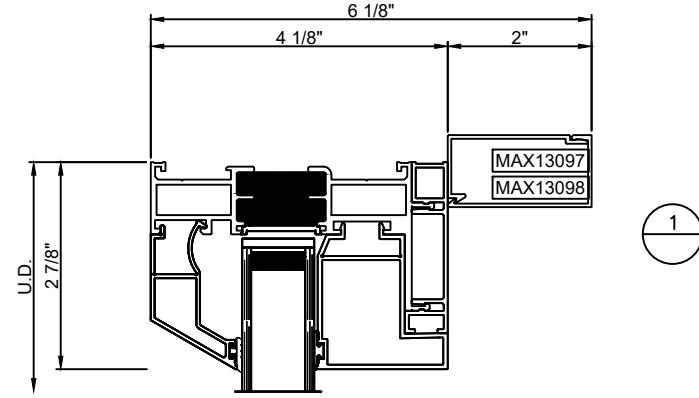
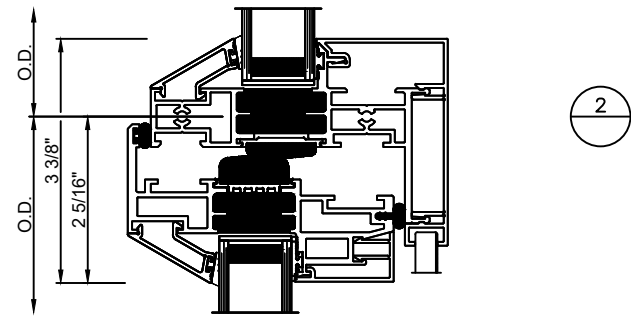
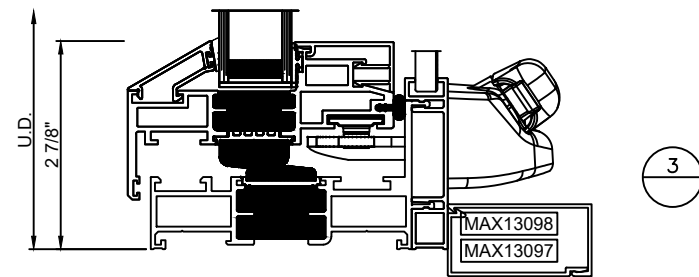
PHONE (573)-744-5211
 FAX (573)-744-5586
 COMMERCIAL
 FAX (573)-744-5822
 www.quakercommercialwindows.com

QUAKER
 C O M M E R C I A L

Scale: 3/8"=1"
 Sheet #: C1
 Drawn By: QWP
 Checked By: -----

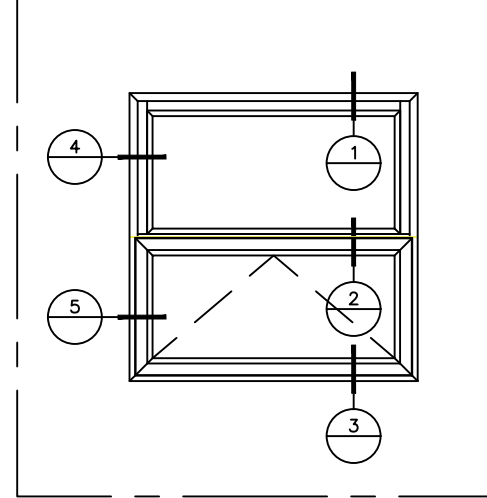
Drawing Created
 3/3/22

EXTERIOR



EXTERIOR

SERIES	C600
CONFIGURATION	FIXED OVER AWNING
INSTALLATION METHOD	INTERIOR SNAP TRIM
<p>Quaker reserves the right to change any/all designs without notice. Due to periodic re-certification requirements, result shown may vary. Installation methods shown are generic. No sealant shown on details. Accessory part numbers are shown on the cut sections. Contact Quaker if job specific details are required. This Document contains confidential and proprietary information intended for the private use of Quaker. 2015 Quaker Window Products Co., Inc. All rights reserved.</p>	



CUT DETAILS

QUAKER DETAILS

Project Name: -----

Description:

PHONE (573)-744-5211
 FAX (573)-744-5586
 COMMERCIAL
 FAX (573)-744-5822
 www.quakercommercialwindows.com

QUAKER
 C O M M E R C I A L

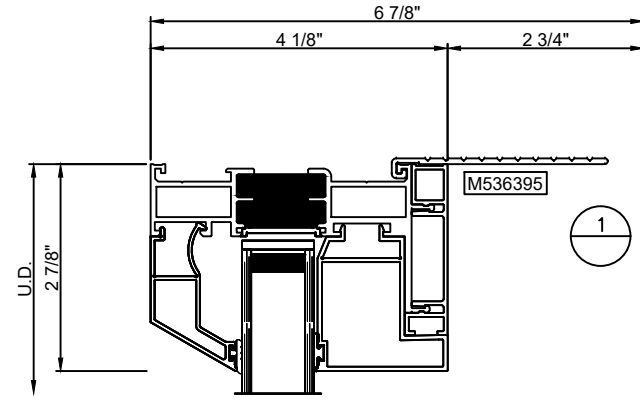
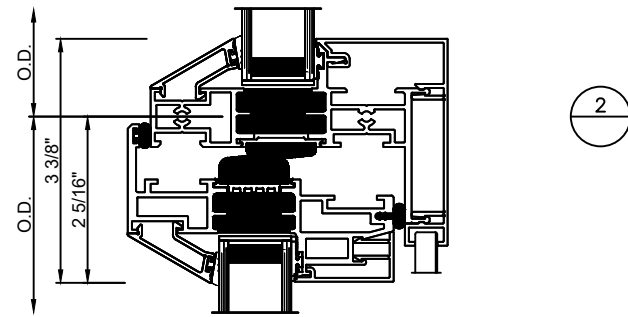
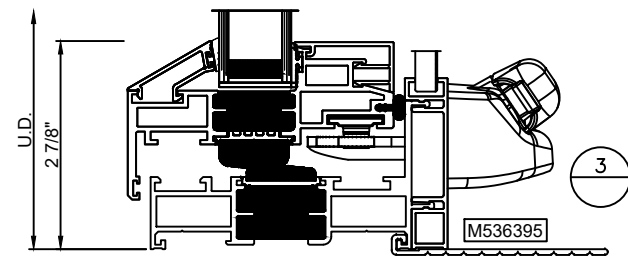
Scale: 3/8"=1"
 Sheet #: C2

504 Highway 63 South
 Freeburg, MO 65035

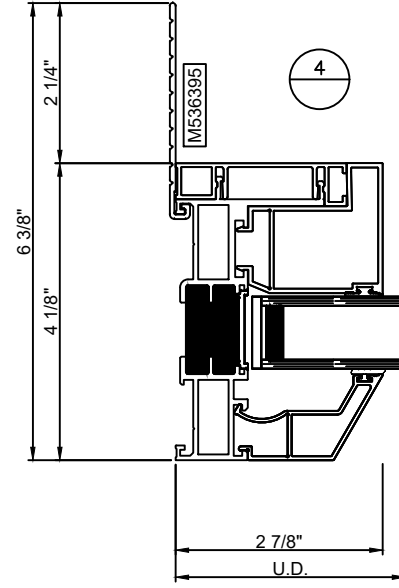
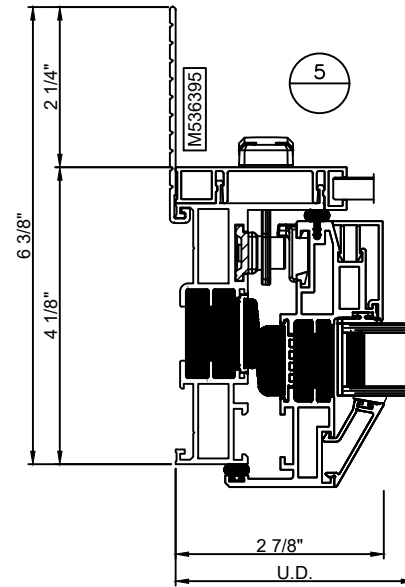
Drawn By: QWP
 Checked By: -----

Drawing Created
 3/3/22

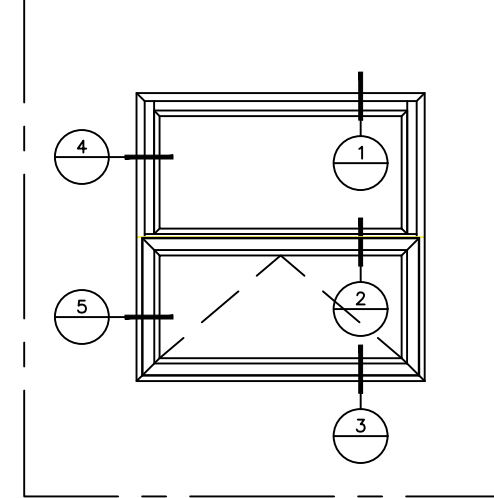
EXTERIOR



EXTERIOR



SERIES	C600
CONFIGURATION	FIXED OVER AWNING
INSTALLATION METHOD	INTERIOR ANCHOR STRAP
<p>Quaker reserves the right to change any/all designs without notice. Due to periodic re-certification requirements, result shown may vary. Installation methods shown are generic. No sealant shown on details. Accessory part numbers are shown on the cut sections. Contact Quaker if job specific details are required. This Document contains confidential and proprietary information intended for the private use of Quaker. 2015 Quaker Window Products Co., Inc. All rights reserved.</p>	



CUT DETAILS

QUAKER DETAILS

Description:
 PHONE (573)-744-5211
 FAX (573)-744-5586
 COMMERCIAL
 FAX (573)-744-5822
 www.quakercommercialwindows.com

Q QUAKER
 C O M M E R C I A L

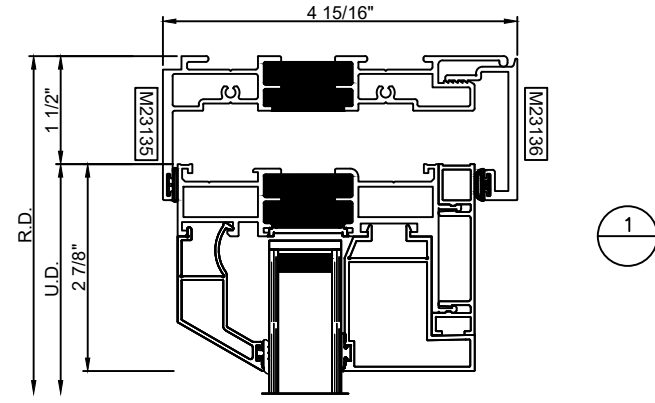
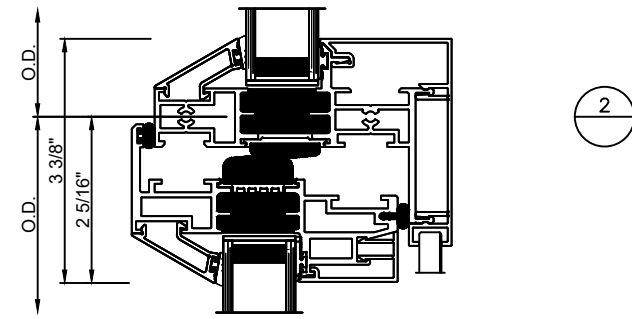
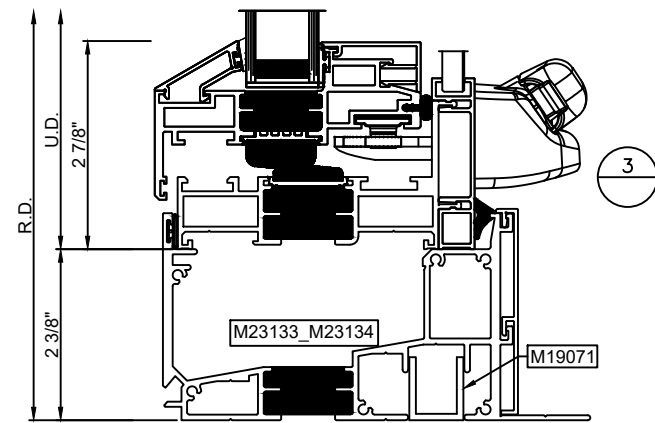
504 Highway 63 South
 Freeburg, MO 65035

Scale: 3/8"=1"
 Sheet #: C3

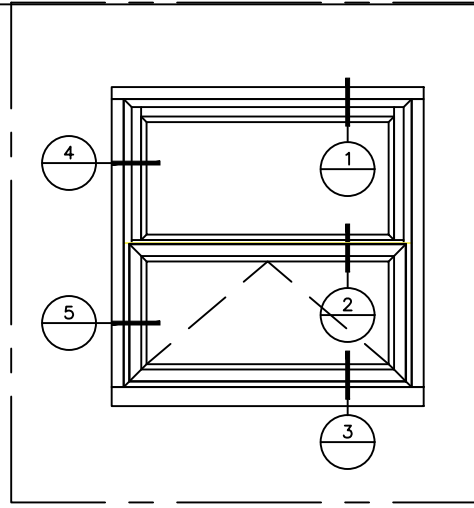
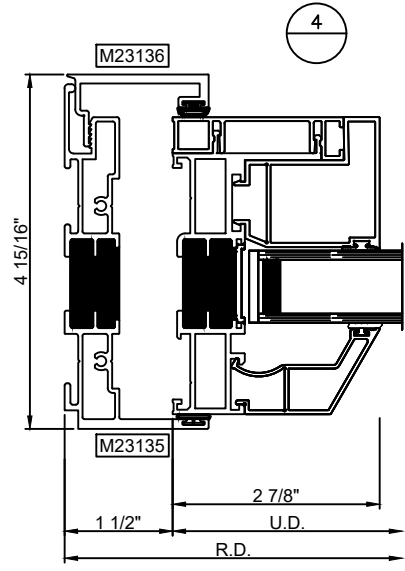
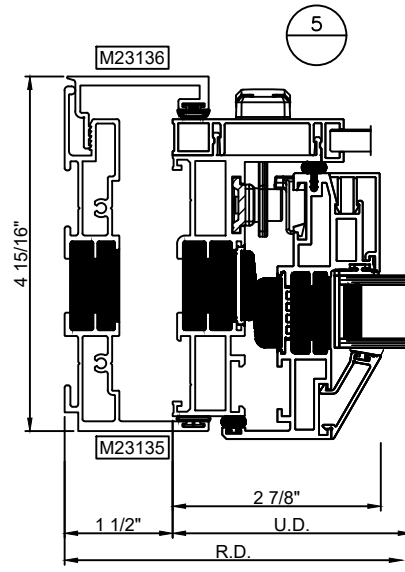
Drawn By: QWP
 Checked By: -----

Drawing Created
 3/3/22

EXTERIOR



EXTERIOR



SERIES	C600
CONFIGURATION	FIXED OVER AWNING
INSTALLATION METHOD	RECEPTOR AND SUBSILL
<p>Quaker reserves the right to change any/all designs without notice. Due to periodic re-certification requirements, result shown may vary. Installation methods shown are generic. No sealant shown on details. Accessory part numbers are shown on the cut sections. Contact Quaker if job specific details are required. This Document contains confidential and proprietary information intended for the private use of Quaker. 2015 Quaker Window Products Co., Inc. All rights reserved.</p>	

QUAKER DETAILS

CUT DETAILS

Project Name: -----

Description: -----

QUAKER
 C O M M E R C I A L
 Scale: 3/8"=1"
 Sheet #: C4

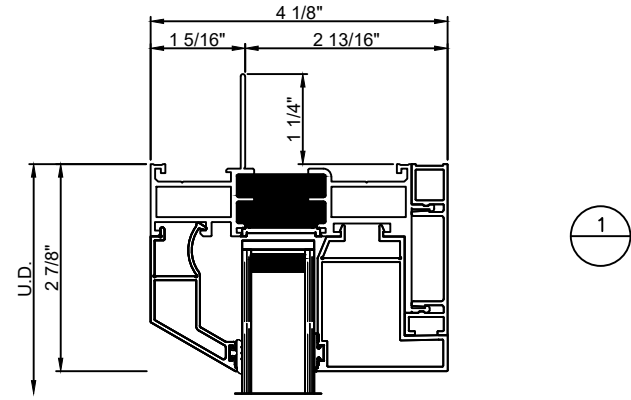
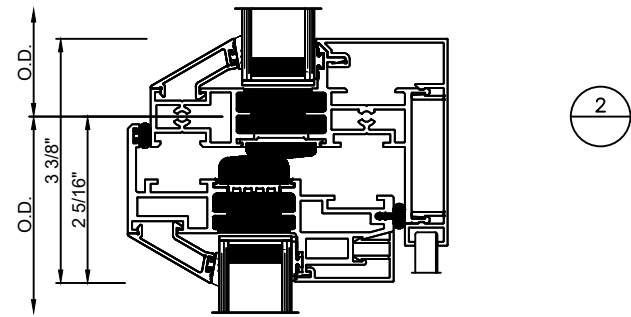
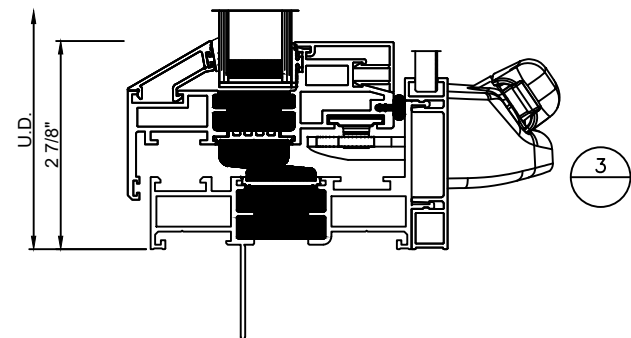
PHONE (573)-744-5211
 FAX (573)-744-5586
 COMMERCIAL
 FAX (573)-744-5822
 www.quakercommercialwindows.com

504 Highway 63 South
 Freeburg, MO 65035

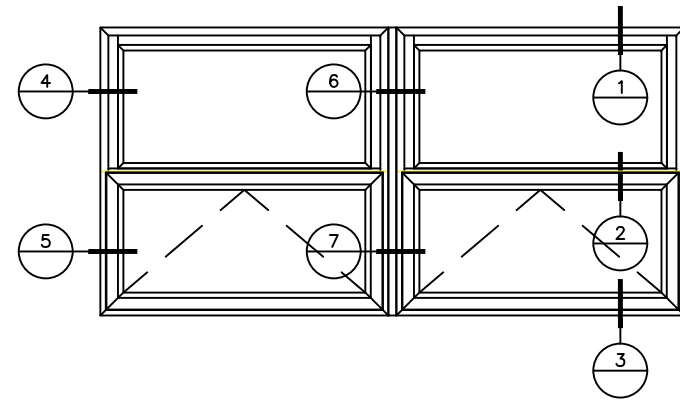
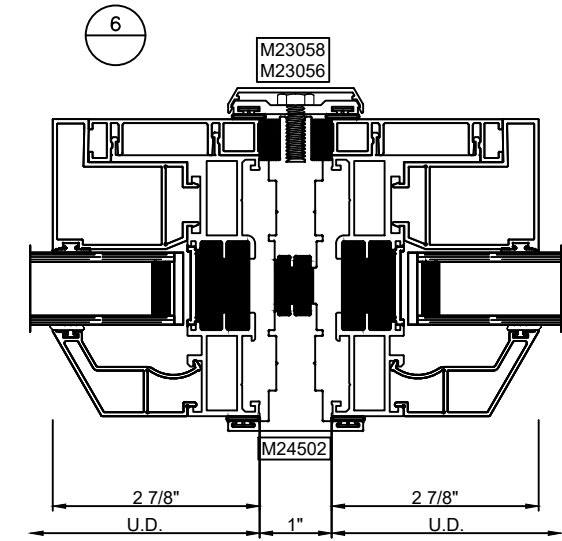
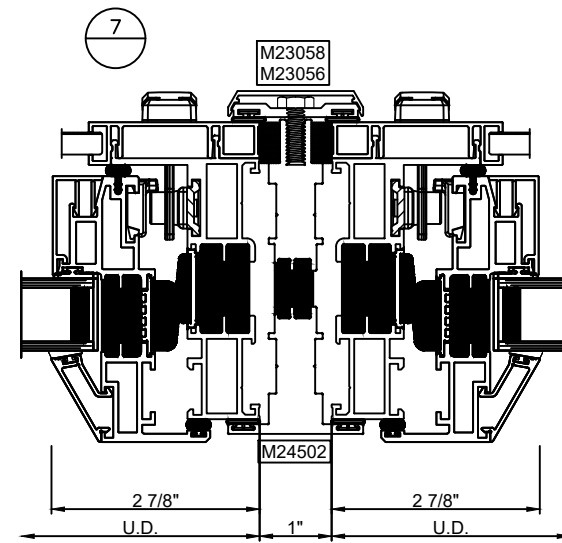
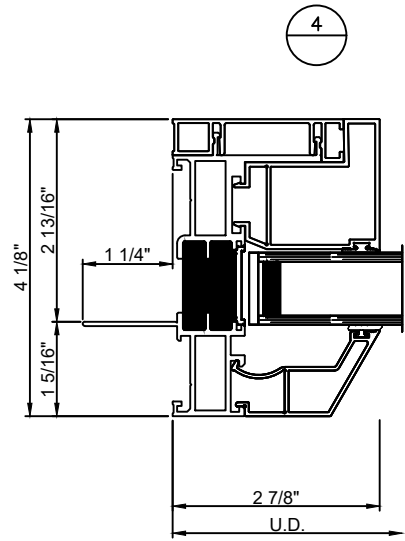
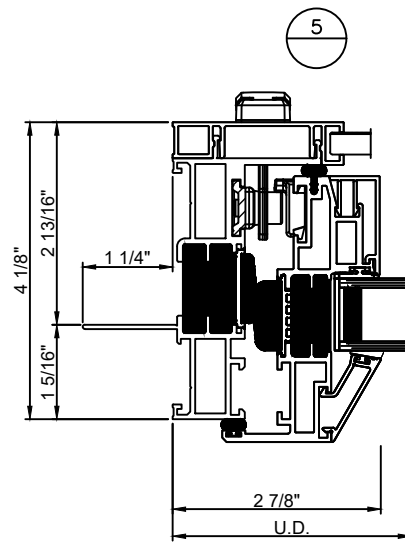
Drawn By: QWP
 Checked By: -----

Drawing Created
 3/3/22

EXTERIOR



EXTERIOR



SERIES	C600
CONFIGURATION	FIXED OVER AWNING
INSTALLATION METHOD	NAIL FIN VERTICAL T-MULL
<p>Quaker reserves the right to change any/all designs without notice. Due to periodic re-certification requirements, result shown may vary. Installation methods shown are generic. No sealant shown on details. Accessory part numbers are shown on the cut sections. Contact Quaker if job specific details are required. This Document contains confidential and proprietary information intended for the private use of Quaker. 2015 Quaker Window Products Co., Inc. All rights reserved.</p>	



CUT DETAILS

QUAKER DETAILS

Project Name:

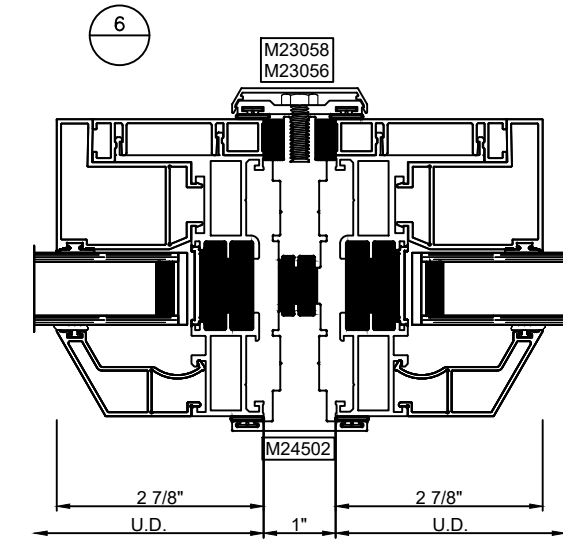
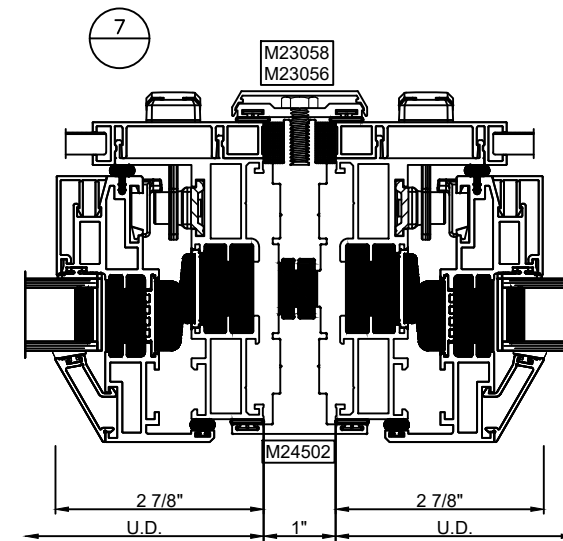
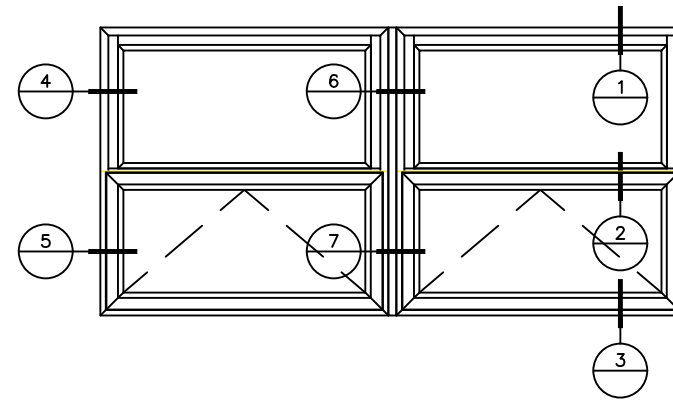
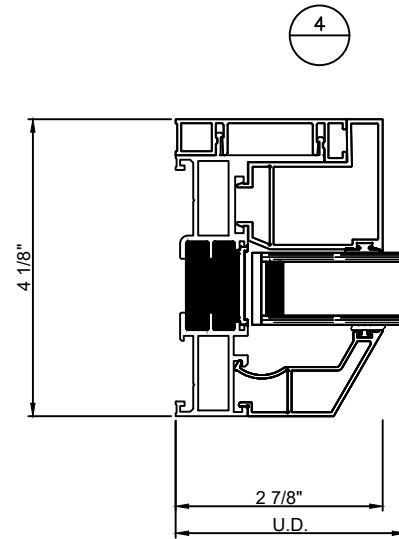
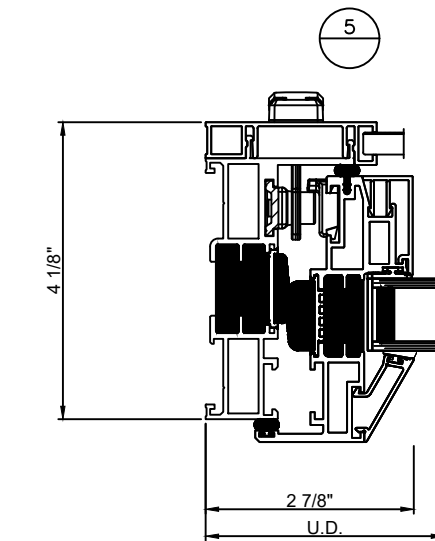
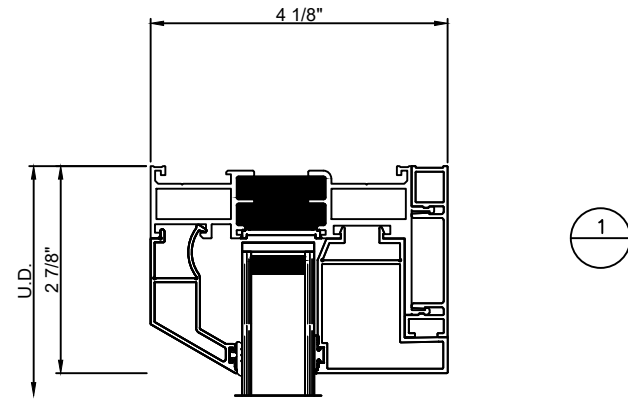
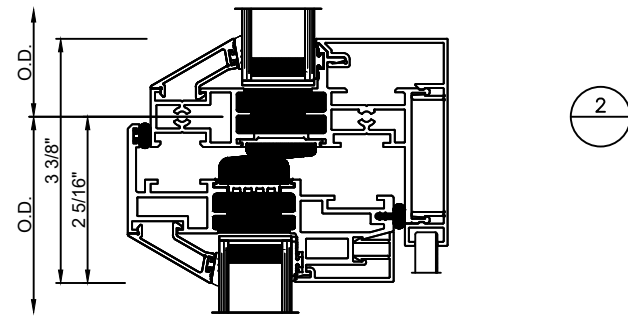
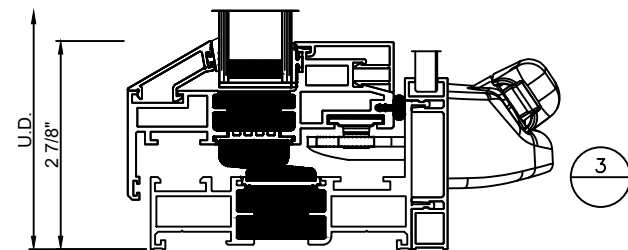
Description:

PHONE (573)-744-5211
 FAX (573)-744-5586
 COMMERCIAL
 FAX (573)-744-5822
 www.quakercommercialwindows.com

Drawn By: QWP
 Checked By: ---
 Scale: 3/8"=1"
 Sheet #: C5

Drawing Created
 3/3/22

EXTERIOR



SERIES	C600
CONFIGURATION	FIXED OVER AWNING
INSTALLATION METHOD	NON NAIL FIN VERTICAL T-MULL
<p>Quaker reserves the right to change any/all designs without notice. Due to periodic re-certification requirements, result shown may vary. Installation methods shown are generic. No sealant shown on details. Accessory part numbers are shown on the cut sections. Contact Quaker if job specific details are required. This Document contains confidential and proprietary information intended for the private use of Quaker. 2015 Quaker Window Products Co., Inc. All rights reserved.</p>	

Description: **CUT DETAILS**

Project Name: **QUAKER DETAILS**

Q **QUAKER**
 C O M M E R C I A L

Drawn By: **QWP**
 Checked By: **----**

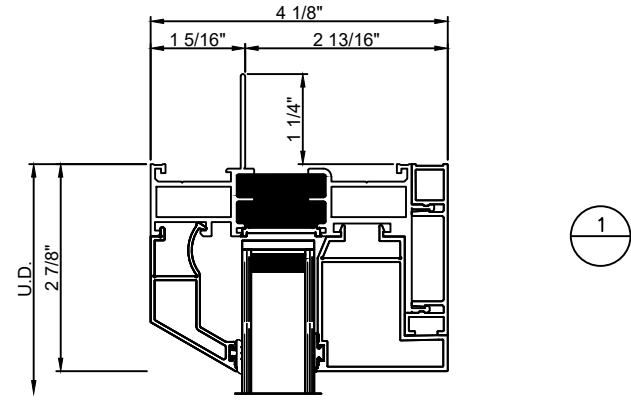
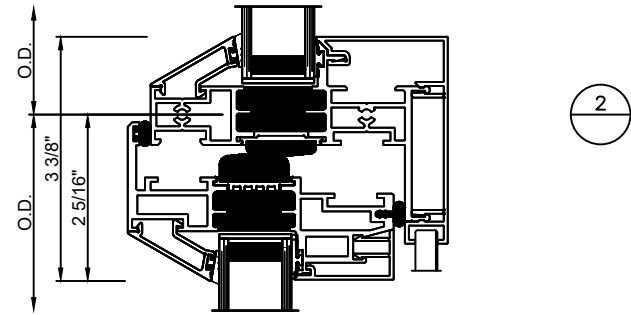
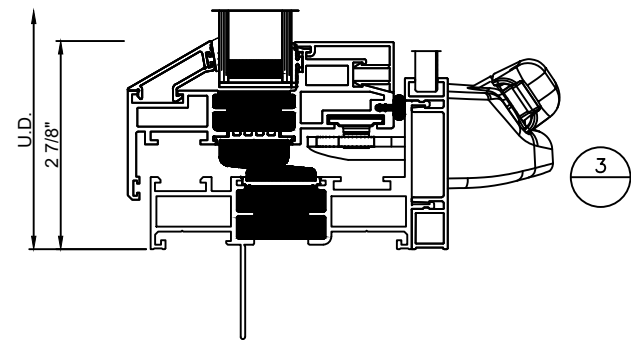
Scale: **3/8"=1"**
 Sheet #: **C6**

PHONE (573)-744-5211
 FAX (573)-744-5586
 COMMERCIAL
 FAX (573)-744-5822
 www.quakercommercialwindows.com

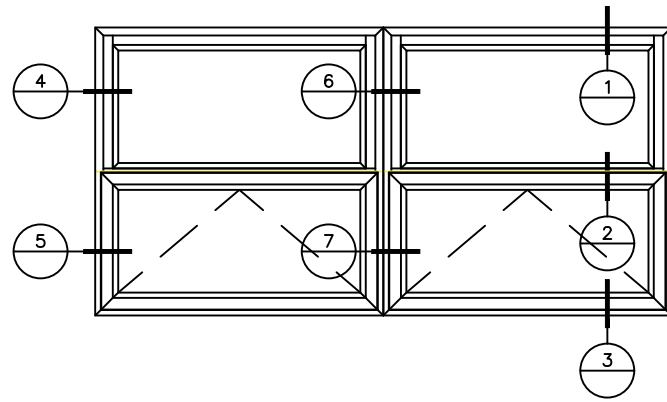
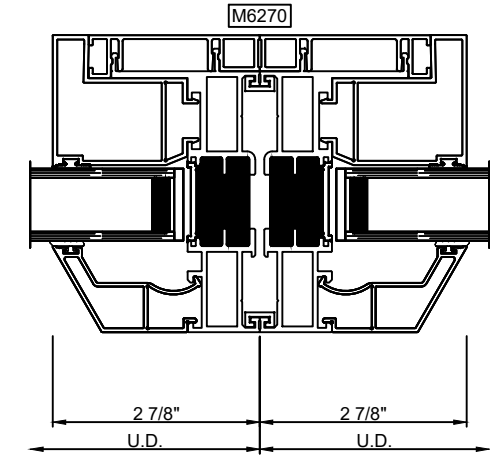
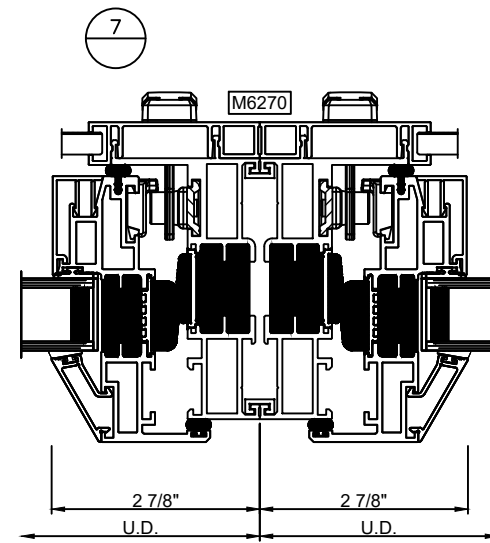
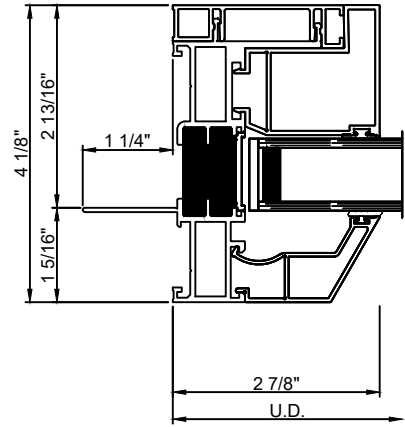
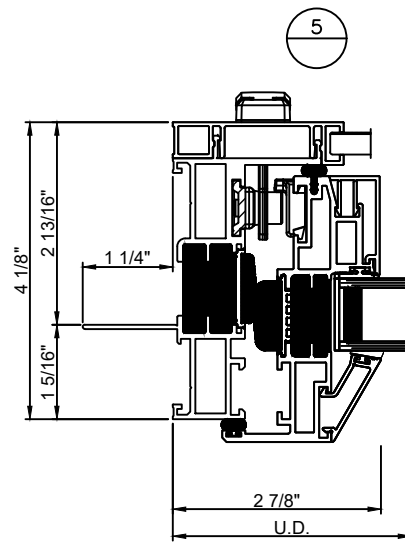
Drawing Created
 3/3/22

EXTERIOR

EXTERIOR



EXTERIOR



SERIES	C600
CONFIGURATION	FIXED OVER AWNING
INSTALLATION METHOD	NAIL FIN VERTICAL C-MULL
<p>Quaker reserves the right to change any/all designs without notice. Due to periodic re-certification requirements, result shown may vary. Installation methods shown are generic. No sealant shown on details. Accessory part numbers are shown on the cut sections. Contact Quaker if job specific details are required. This Document contains confidential and proprietary information intended for the private use of Quaker. 2015 Quaker Window Products Co., Inc. All rights reserved.</p>	

Project Name: **QUAKER DETAILS**

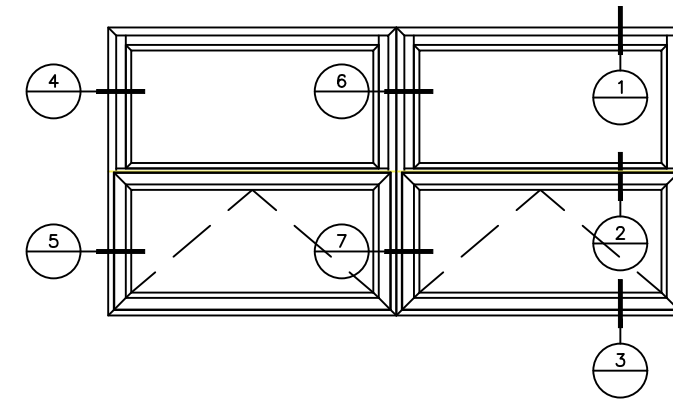
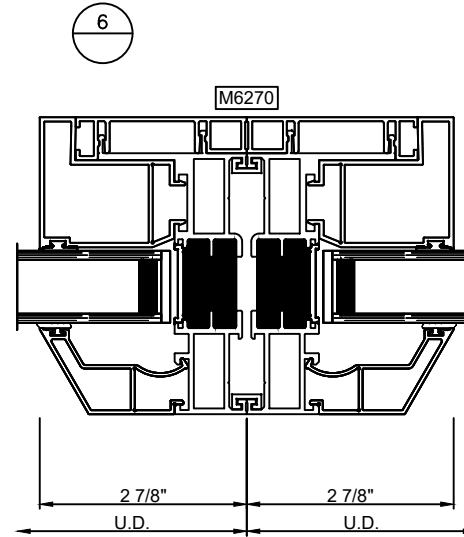
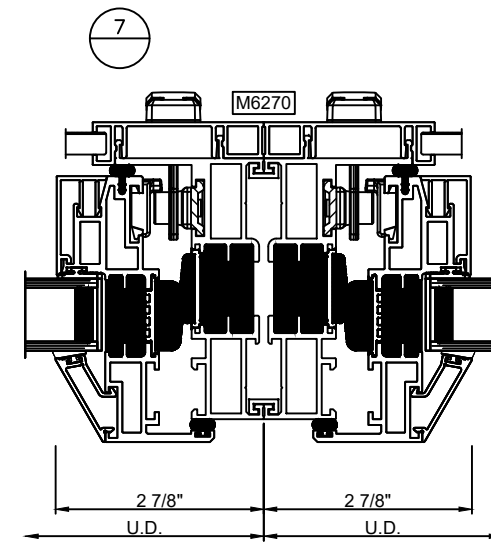
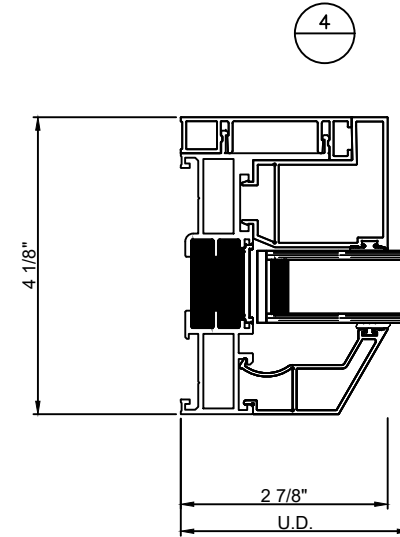
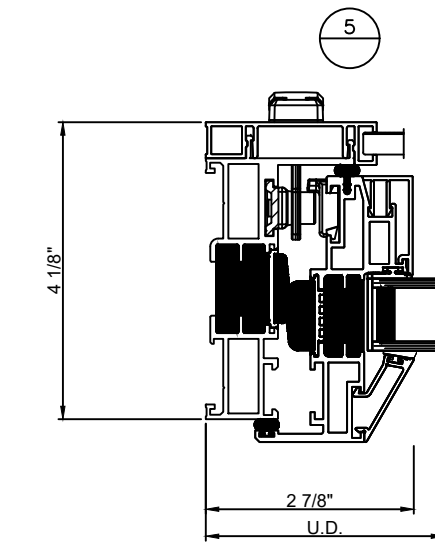
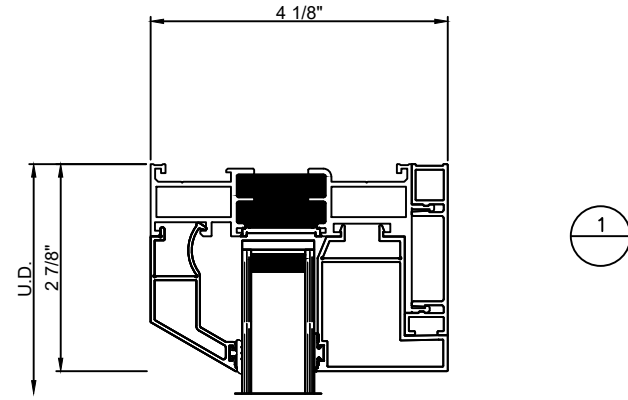
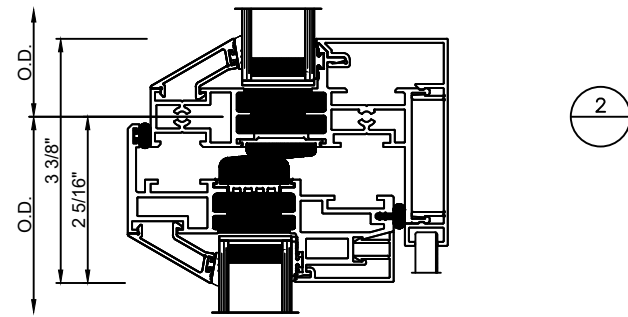
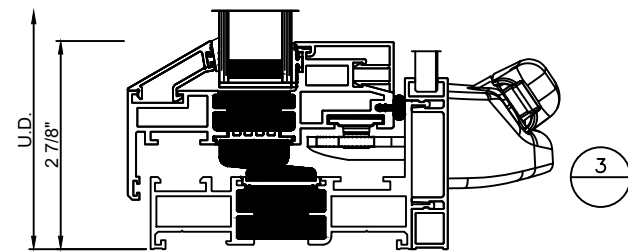
Description: **CUT DETAILS**

PHONE (573)-744-5211
 FAX (573)-744-5586
 COMMERCIAL
 FAX (573)-744-5822
 www.quakercommercialwindows.com

QUAKER COMMERCIAL
 Scale: 3/8"=1"
 Sheet #: C7
 Drawn By: QWP
 Checked By: -----
 504 Highway 63 South
 Freeburg, MO 65035

Drawing Created
 3/3/22

EXTERIOR



SERIES	C600
CONFIGURATION	FIXED OVER AWNING
INSTALLATION METHOD	NON NAIL FIN VERTICAL C-MULL
<p>Quaker reserves the right to change any/all designs without notice. Due to periodic re-certification requirements, result shown may vary. Installation methods shown are generic. No sealant shown on details. Accessory part numbers are shown on the cut sections. Contact Quaker if job specific details are required. This Document contains confidential and proprietary information intended for the private use of Quaker. 2015 Quaker Window Products Co., Inc. All rights reserved.</p>	

Description: **CUT DETAILS**

Project Name: **QUAKER DETAILS**

Q **QUAKER**
 C O M M E R C I A L

Drawn By: **QWP**
 Checked By: **----**
 Scale: **3/8"=1"**
 Sheet #: **C8**

PHONE (573)-744-5211
 FAX (573)-744-5586
 COMMERCIAL
 FAX (573)-744-5822
 www.quakercommercialwindows.com

Drawing Created
 3/3/22

EXTERIOR